

Model(s):

- PH 45X
- PH 45X DW

Exclusively Designed For PizzaMaster®



Model PH-45X DW (Model PM451ED-1DW shown above)

Features:

- Stainless Steel construction
- Indirect venting technology
- NSF Listed
- 2 Year Limited Parts & Labor Warranty (excludes filter replacements)



Specifications:

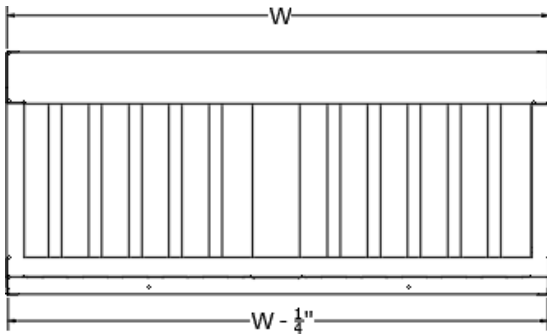
- NSF listed hood built for the PizzaMaster ovens to fully contain high temperature environments (industry leading 932° F / 500°C).
- Exhaust Hood System is full 18 Ga. Stainless Steel.
- This unit is for the 45X PizzaMaster variants and is 19" (483 mm) High, 27.875" – 46" (708 mm – 1169 mm) wide, and 40.125" (1020 mm) Deep.
- Unit is designed to be connected to an external exhaust fan, speed controller, with a non-grease duct. (All Sold separately).
- Standard accessory: Grease Baffle Filters [Part# PM-GBF-20x16 and PM-GBF-20x20].
- Field cut exhaust collar ensures field conflicts are reduced, which allows for ease of installation.

Visit www.forzapizza.com/pizzamaster-ventilation for more info.

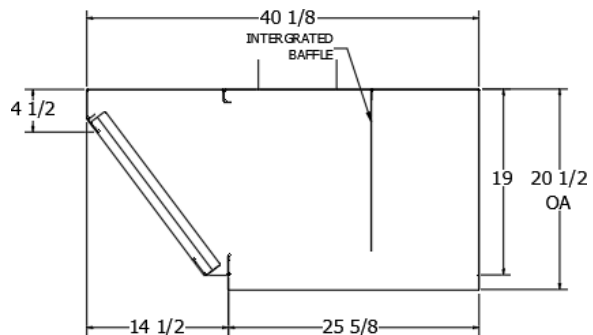
Model	Overall Dimensions			Exhaust Information		Weight	
	Height	Width (W)	Depth	Duct Size	CFM (Per Deck)	Hood	Crated
PH-45X	19" (483 mm)	27.875" (708 mm)	40.125" (1020 mm)	8" (203 mm)	150 CFM	76 LBS	105 LBS
PH-45X DW	19" (483 mm)	46" (1169 mm)	40.125" (1020 mm)	8" (203 mm)	175 CFM	85 LBS	120 LBS

MINIMUM CLEARANCE REQUIRED FROM UNIT TO THE NEAREST COMBUSTIBLE OBJECT (ZERO CLEARANCE AVAILABLE UPON REQUEST)			
Front	Side	Rear	Top
18"	18"	18"	18"

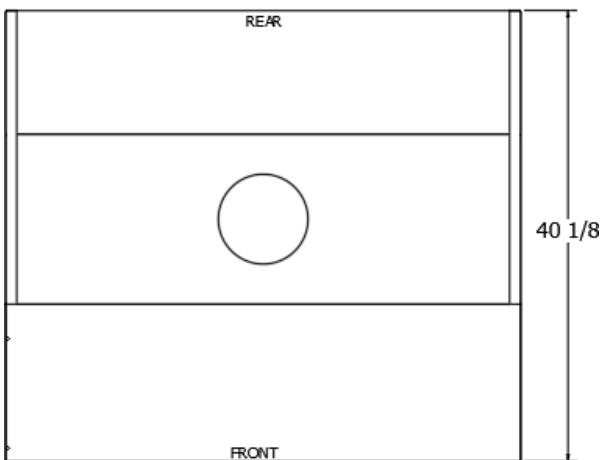
FRONT



SIDE



TOP



North American Kitchen Solutions (NAKS) products are not approved or authorized for home or residential use; but are intended for commercial applications only. NAKS will not provide service, warranty, maintenance or support of any kind other than in commercial applications. **For use with PizzaMaster oven only.**

PROUDLY MADE IN THE U.S.A.